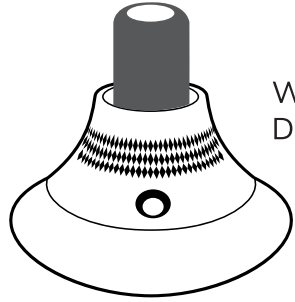


MISTI



WATERLESS
DIFFUSER



INSTRUCTIONS FOR SAFE USE EN

-Before you use the device, read carefully and keep the operating instructions described below. Always make sure that you properly handle the device. Throughout this instruction manual, the term «device» refers to the diffuser and its accessories.

-If you notice a burning smell or the product shows other signs of significant malfunction, immediately disconnect the power cord from the electrical outlet. Wait until the burning smell dissipates, then contact your retailer.

-If the device falls, disconnect the power cord from the electrical outlet.

-Maintain the oil diffuser with an appropriate cleaner available at your local retailer.

-Do not try to disassemble or modify the device. You will be exposed to hazards and your parts and labour warranty would become invalid.

-Do not bend, twist or pull the power cord, this may damage it and cause a fire or electrical shock hazard.

-Do not place heavy objects on the device.

-Do not obstruct the diffuser output of your device.

-Do not use the device in areas that are smoky, humid, dusty, or subject to strong vibrations.

-Do not expose the device to high temperatures.

-Keep the device out of the reach of children.

-Do not use the device near an open flame.

-Do not use the device in a humid atmosphere.

-Do not immerse the device in water.

-Carefully observe the precautions for use provided with the bottles of any essential oils.

-Do not overfill the oil diffuser. It could stain the furniture on which it is placed.

-Do not place the diffuser on an inclined or unstable piece of furniture. It could fall, break and cause injury.

-This device can be used by children 8 years of age and older and by persons with limited physical, sensory or mental abilities or without experience or knowledge of the device, if they are properly supervised or if the instructions relating to the safe use of the device were given to them and the associated risks were understood.

-Children must not play with this device.

-Cleaning and maintenance must not be performed by unsupervised children.

-Only use substances recommended for diffusion in the device. Using other substances may cause a toxic hazard or risk of fire.

-Warning: Refer to the "Installation" section for all recharging operations.

-Unplug the device before handling or maintenance. Make sure that it has been

emptied of any liquid or substance for diffusion.

-This device contains batteries that cannot be replaced.

-The battery must be removed from the device before it is disposed of.

-The device must be disconnected from the power supply when removing the battery.

The battery should be removed safely using the following instructions:

1.-Remove the foot pad and use a small cross screwdriver to unscrew the bottom screws.

2.-Separate the upper and lower covers while unplugging the atomiser leads.

3.-Use a small cross screwdriver to unscrew the screws on the PCB.

4.-Unplug the battery terminals, and take off the PCB and then to remove the battery.

-Do not try to touch the ultrasonic membrane which is highly sensitive, with your fingers, or scrap it with metal tools, otherwise it will reduce mist output.

-The device must only be powered using very low voltage for safety reasons, which corresponds to the device marking.

-If the power cable is damaged, it must be replaced with a cable or special kit available from the manufacturer or after-sales support.

-If the pins of the plug part are damaged, the plug in the power supply unit must be discarded.

General precautions for essential oils :

-Only use substances recommended for diffusion in the device.

-Using other substances may cause a toxic hazard or risk of fire.

-Essential oils are active ingredients which must be used in moderation and in conformance with recommended amounts

and diffusion times.

-Always follow the detailed precautions for the use of essential. Ask your aromatherapy vendor for advice.

-Carefully read the hazard and caution notes related to the pictograms.

-Wash your hands immediately after using essential oils.

-Avoid direct contact with eyes, ears and mucous membranes.

-In case of allergies, and in particular respiratory allergies, exercise extreme caution in the use of essential oils. The advice of a specialist is recommended. When seeking the advice of a physician, have the essential oil container and label available.

-Keep essential oils away from air and light, as well as any source of heat or flame.

-This instruction manual is available on www.nikura.com



Read operator's manual.



The crossed-out wheeled bin symbol affixed to the product or its accessories indicates that they are classified as electrical and electronic equipment.

As such, the European regulations require it is collected separately from other waste:

- by distributors, if an equivalent product is purchased,
- using the locally-available collection facilities (waste reception centre, separate collection, etc.).

In this way, you will be helping to reuse and recycle Waste Electrical and Electronic Equipment that could have potentially harmful effects on the environment and on human health.

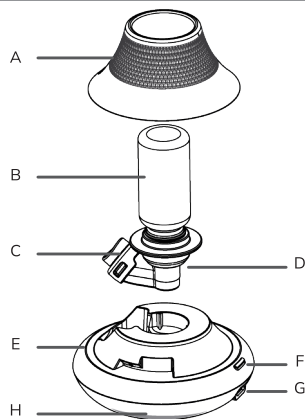


This appliance satisfies the European Community requirements concerning safety, hygiene, the environment and consumer protection.

NIKURA

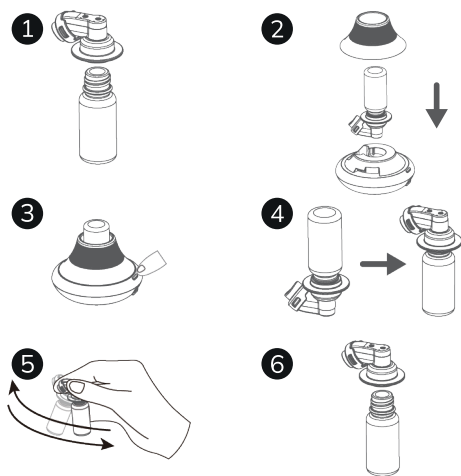
Nikura Ltd, Unit 6, Tariff Road,
London, N17 0EB, United Kingdom
+ 44 (0)203 637 0946
www.nikura.com

Description of parts



- A.- Decorative Cover
 B.- 10ml Oil Bottle
 C.- Atomiser Disk
 D.- Atomisation Module
 E.- Base
 F.- Button
 G.- USB-C port
 H.- Ambient Lighting

Installation



Installation

- 1.-Unscrew the decorative cover, take out the atomising module and turn upside down. Tightly screw the bottle into the module.
- 2.-Re-insert the atomising module into the base of

the diffuser and screw on the decorative cover.

3.-Press the button and adjust to the desired aroma level. Enjoy the aroma!

Changing the bottle/cleaning the atomising module

4.-Unscrew the decorative cover and take out the atomising module, turn it upside down keeping the bottle below the module.

5.-To accelerate the return of the oil back into the bottle, swing the atomising module from side to side as shown in illustration number 5.

6.-Wait for the oil to return to the bottle. Make sure all the oil has returned to the bottle before unscrewing.

Button & Indicator Light (three misting levels)

Low: To turn on the low misting mode, press the button once, the button will show a yellow indicator light. This will mist for 1 s on, 60s off.

Medium: To turn on the medium misting mode, press the button twice, the button will have a green indicator light. This will mist for 1 s on, 40s seconds off.

High: To turn on the high misting mode, press the button three times, the button will have a blue indicator light. This will mist for 1 s on, 20s off.

To turn off the diffuser, press the button 4 times, or until the indicator light turns off.

Ambient Lighting & Power Indication

Working: Warm yellow light is steadily on by default.

Charging: Warm yellow light fades in and out.

Low Power: Red ambient light is steadily on when the battery is less than 10%. If the battery runs out, the light will flash quickly red 10 times before turning off. To turn off the ambient lighting whilst keeping the mist on, long press the button for 2 seconds. Long press the button for another 2 seconds to turn the light back on. The power consumption on standby mode is 0.5 W.

Timer

The diffuser will automatically shut down after 3 hours of operation by default. (Note: this is timed from the last press of the button. If the setting is changed

at any point the timer will start again)

Check whether the atomising module is installed

If the atomising module is detected as not installed, the indicator light and ambient lighting will turn on for approx. 0.5 seconds before turning off and entering standby mode. If the atomising module is removed during use and without turning off, the diffuser will recognise that it's been removed when reaching the next atomising module. It will then enter standby mode. We recommend turning the diffuser off before installing or replacing the atomising module.

Looking after your device

When changing the bottle to a different aroma, we recommend removing, and wiping, the atomising module with a clean cotton cloth, or rinsing the inside of the atomising module with water. Make sure the atomising module is completely dry from water before using.

Take out the bottle and clean the diffuser and atomising module after every use. This will help prevent any build up within the atomising module. Avoid placing the diffuser in a dusty place as this may affect the ability of the diffuser working.

Moderate Cleaning: We recommend doing a moderate clean once a week. Clean the module and disk with a clean cotton bud that has been dipped in cleaning alcohol of at least 75%, or warm water.

Thorough Cleaning: Every month clean the atomising module, disk and entire diffuser thoroughly. Use a alcohol cleaning solution or warm water, dip a cotten swap into the solution, and clean the small areas of the diffuser. Fill the atomising module with alcohol and flush through to clean the inside of the module. Pour out the alcohol after 1-2 minutes.

Specifications

Item: K W078 Ultrasonic Aroma Diffuser
 Size: Ø88mm x 60mm
 Oil bottles: 5ml / 10ml / 15ml / 20ml
 Power input: 5V=1A, 5W (USB type -c)

Charging time: 2.5hrs

Hours of use :

No Ambient Lighting

Low Misting: 30hrs / Medium Misting: 19hrs /

High Misting: 13hrs

With Ambient Lighting

Low Misting: 6hrs / Medium Misting: 5.5hrs /

High Misting: 5hrs

Troubleshooting

This diffuser is intended for use with essential oils, fragrance oils, and essential oil blends only. Using oils with a high viscosity, for example benzoin or myrrh, may damage the diffuser and cause it to not work properly, ruining the use of the diffuser. Only use water or cleaning alcohol to clean the unit. Do not diffuse water through the atomiser. Make sure the unit is properly dry from water and/or alcohol after cleaning and before using.

Problem	Cause	Solution
Diffuser won't turn on	Low power	Charge the diffuser
Diffuser keeps automatically turning off	1. Atomising module isn't installed. 2. Power is low. 3. The diffuser has run for three hours.	1. Install the atomising module. 2. Charge the diffuser. 3. Restart the unit.
No mist, or low amount of mist	1. Oil bottle is empty. 2. Mist outlet is blocked. 3. The selected oil is not intended for use in this diffuser.	1. Change or re-fill the oil bottle. 2. Clean the atomising module. 3. Use an oil with a low viscosity.
Accumulation of liquid on the table or mist outlet	The oil being used in the diffuser is not appropriate (high viscosity or too volatile)	Clean the atomising module and use an appropriate oil with a low viscosity.
Oil leaking within the base of the atomiser	1. The bottle is not screwed in properly to the atomiser module 2. The sealing ring in the atomiser is not installed 3. The structure of the atomising module is damaged	1. Firmly screw in the bottle to the atomiser 2. Check the seal ring is in place 3. Replace the atomising module